



DECOR-100 "NIGHT"

- Instrucciones de uso
- User instructions
- Notice d'utilisation
- Montageanweisungen
- Montage - Gebruiksaanwijzing
- Instruções de utilização
- Libretto istruzioni
- Användar instruktion
- Instrukcja obsługi



Fig. 3

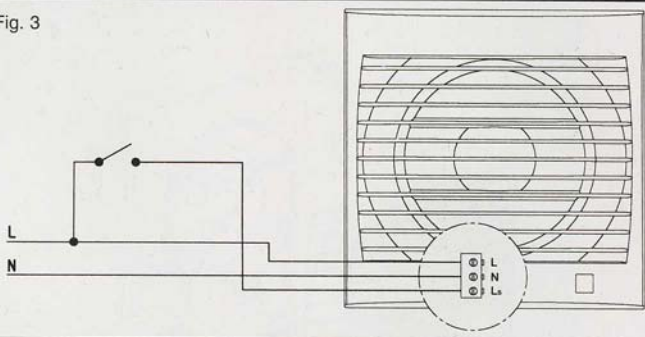


Fig. 4

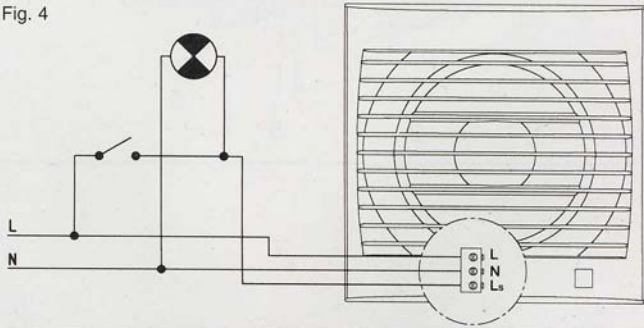
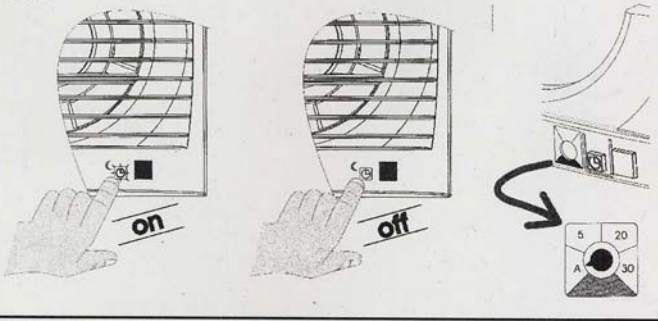
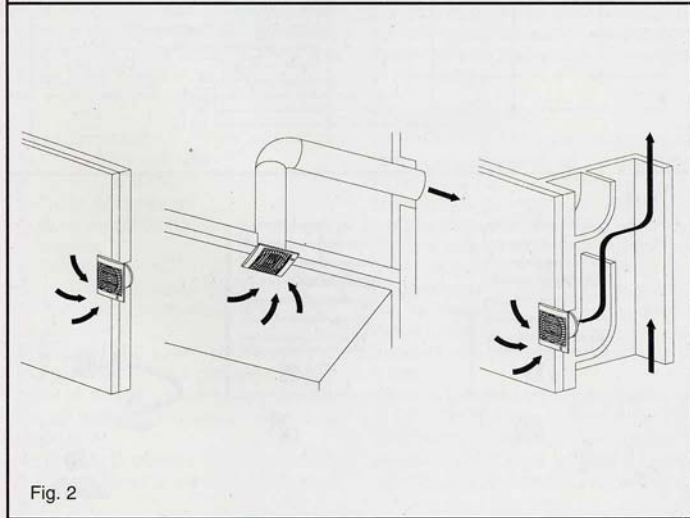
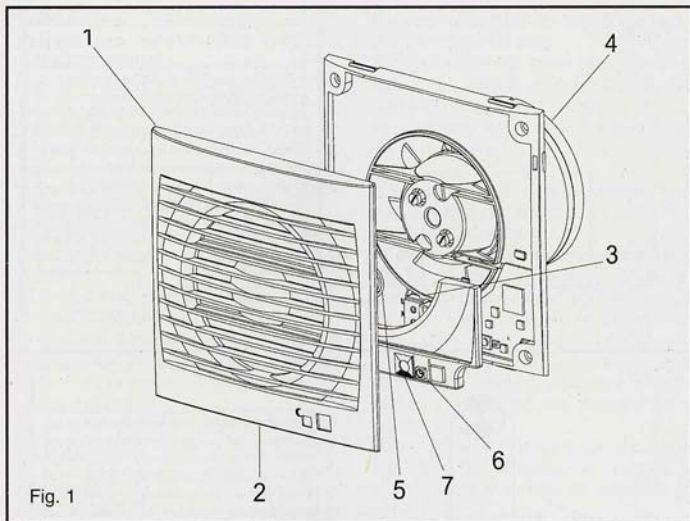


Fig. 5





ENGLISH
DECOR-100 "NIGHT"
Axial Extractor Fans

The DECOR-100 extractor fan range is manufactured to the high standards of production and quality as laid down by the international Quality Standard ISO 9001. All components have been checked and every one of the final products will have been individually tested at the end of the manufacturing process.

On receipt of the product we recommend that you to check the following:

- 1- That it is the correct size.
- 2- That it is the correct model.
- 3- That the details on the rating label are those you require: voltage, frequency...

The installation must be carried out in accordance with the electrical standards in force in your country.

Installation

IMPORTANT: Before installing and wiring the unit, ensure that the main supply is disconnected.

Fig. 1:

- 1: Protection grille
- 2: Fixing screw
- 3: Connection terminals
- 4: Outlet with backdraught shutter
- 5: Cable entry
- 6: "NIGHT function" activation key
- 7: Adjustable timer

The DECOR-100 is suitable for wall or ceiling mounting and can either discharge directly to the outside or via an individual or central ducting system (see Fig. 2).

The unit can be mounted on the wall or ceiling using the 4 rubber blocks and the screws provided.

Make a hole in the wall or ceiling of 105 mm dia.

If the unit is to be installed with individual ducting, use a standard 100 mm dia. duct.

Undo the grille fixing screw (1).

Ensure that there are no obstructions to the airflow and that the impeller turns freely.

Fix the extractor to the wall in such a way that it is not distorted in order to avoid noise generation or problems with the rotation of the impeller. Make sure that the backdraught shutter opens freely and has not being damaged in transit. Introduce the mains cable through the cable entry (5) and fix it to the wall so that the fixing screw (2) is above.

Connect the electrical wiring as set out below and then mount the protection grille (1) and tighten the screw (2).

Electrical connection

The DECOR-100 is an extractor designed for a single-phase supply, with voltage and frequency as indicated on the rating plate of the unit. The units are manufactured with double electrical insulation (Class II) and therefore they do not need an earth connection.

The electrical installation must include a double pole switch with a contact clearance of at least 3 mm.

The electrical cable must enter the DECOR-100 through the cable entry (5).

Once the cable has been introduced proceed using the electrical wiring diagram applicable to the selected model.

DECOR-100 CRZ "NIGHT"

Over-run timer

This model is provided with an adjustable over-run timer. The timer allows the fan to continue to operate for the selected

period after the switch has been turned off (fig.3).

ATTENTION: The product also includes an over-run timer facility that starts the fan after the first 50 seconds of non-operation. After these first 50 seconds the fan operates automatically.

Model provided with a 4 positions adjustable electronic timer: Fig.4 shows how to connect the fan with timer utilising the same switch as for the lighting circuit.

To set the timer, turn the potentiometer on the printed circuit board as (fig. 5).

Position Auto:

- If the period of operation is less than 50 seconds then the over-run timer will not operate

- If the period of operation is more than 50 seconds then the over-run timer will operate in accordance to the period of operation (period of operation x 2 with a maximum of 30 minutes).


Position 5': 5 minutes "run on" time

Position 20': 20 minutes "run on" time

Position 30': 30 minutes "run on" time

"NIGHT FUNCTION" Activation

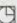
The new bathroom extractor DECOR 100 CRZ "NIGHT", incorporates a "Night function" to provide you with more comfortable use of the apparatus during the night.


The "Night function" is activated by pressing the key  which is automatically illuminated when this function is active.

When the "Night function" is activated, the timer operation will be cancelled.

When the "Night function" is activated, this remains activated for a period of 8 hours from the moment of activation. For example, if we activate the "Night

function" at 23.00hrs, it will remain activated until 07.00hrs the following morning. At this time it will return to normal function until 11 o'clock at night, when the cycle is reinitiated.

The key  will remain lit whenever the "night function" is activated.

If you wish to deactivate the "night function", just press the key  again, and it will remain unlit, indicating that the function is not active.

If the electricity supply is discontinued, the night function will be lost and will need to be set again.

Maintenance

The extractor fan only requires periodical cleaning using a cloth lightly impregnated with a soft detergent.

After Sales Service

We recommend you not to try to dismantle or remove any other parts than those mentioned, as any tampering would automatically cancel the S&P guarantee. If you detect any fault, contact your S&P dealer.

S&P reserves the right to alter specifications without notice